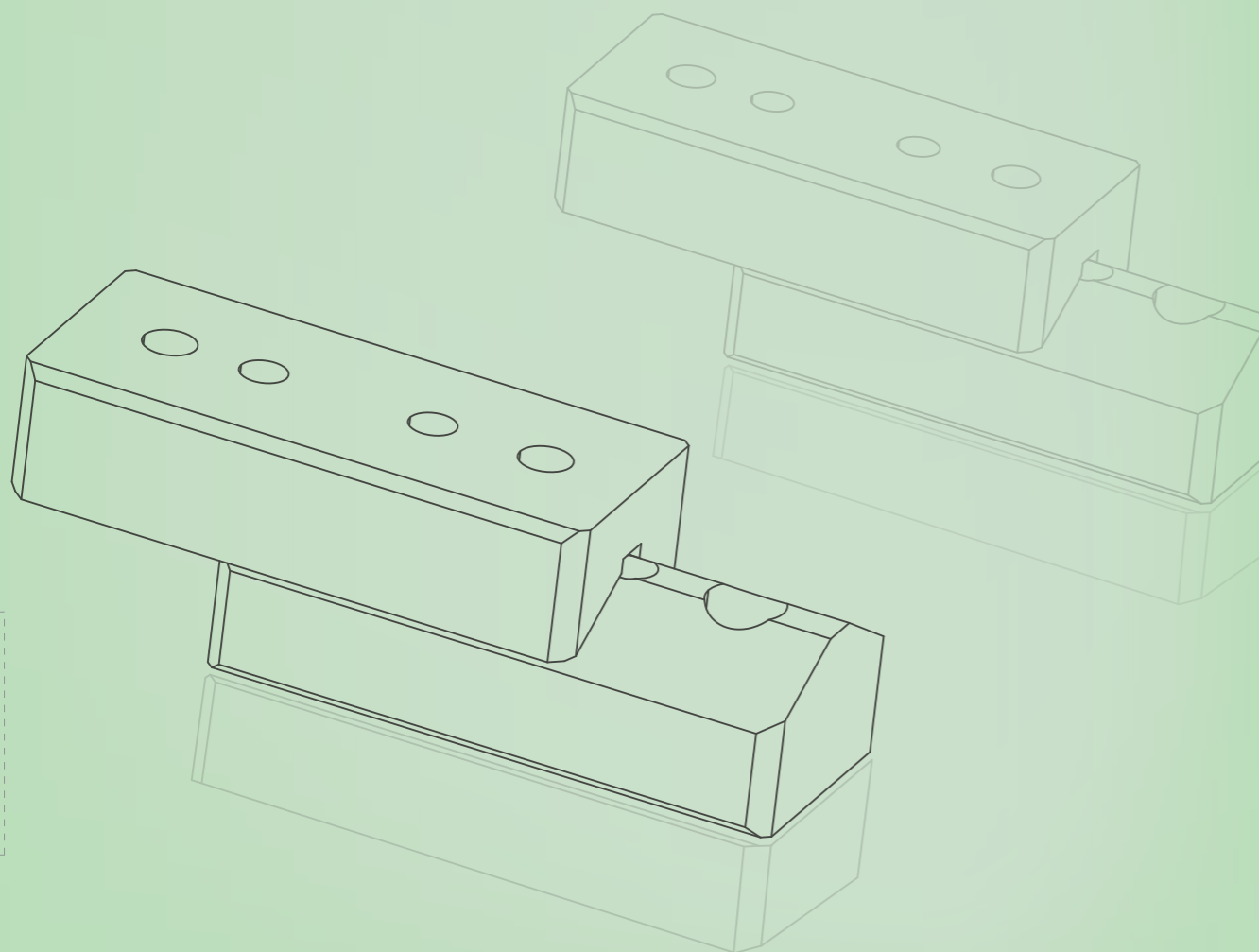


JOUDER PRECISION



NAAMS部品

NAAMS PARTS

<p>NAAMS部品</p> <p>1095</p> <p>JD 优德精密</p>	<p>1097</p> <p>导柱</p>	<p>1099</p> <p>自润滑导套</p>	<p>1100</p> <p>自润滑导套</p>	<p>JSNL 1102</p> <p>起重棒</p>	<p>JSNR 1103</p> <p>侧销</p>
<p>JG11 1104</p> <p>自润滑导向块</p>	<p>JR01 1105</p> <p>自润滑侧向定位板</p>	<p>JR02 1106</p> <p>自润滑侧向定位板</p>	<p>JW01/JW02/JW03 1107</p> <p>自润滑耐磨板</p>	<p>JR21 1109</p> <p>斜楔上压板</p>	<p>JR22 1110</p> <p>斜楔上压板</p>
<p>JG01/JG02 1111</p> <p>斜楔滑动导向块</p>	<p>JG98 1113</p> <p>斜楔凹V型导板</p>	<p>JG97 1114</p> <p>斜楔凸V型导板</p>	<p>JG99 1115</p> <p>斜楔凹V型导板</p>	<p>JG100 1116</p> <p>斜楔凸V型导板</p>	<p>JG41 1117</p> <p>中心槽导引块</p>
<p>JG42/JG43 1118</p> <p>中心槽导引键</p>	<p>JR11 1119</p> <p>斜楔侧导向压块</p>	<p>JR12 1120</p> <p>斜楔侧导向压块</p>	<p>JW11/JW21/JW31 1121</p> <p>斜楔驱动导板</p>		

Code No.

M 材质 **H 硬度**
GCr15 高频淬火
 HRC58~

用于JNP系列
(实心导柱)

用于JNPH系列
(空心导柱)

型号	NAAMS Code	D1 (g6)	D2 (r6)	D3	L	L2	L3	R
JNP25-80	-	25	25	-	80	36	9	2
JNP25-100	-				100			
JNP25-120	-				120			
JNP25-125	-				125			
JNP25-140	-				140			
JNP25-160	-	160						
JNP25-180	-	180						
JNP32-140	G513214	32	32	-	140	45	8	2
JNP32-160	G513216				160			
JNP32-180	G513218				180			
JNP32-200	G513220				200			
JNP40-140	-	40	40	-	140	56	8	2
JNP40-160	G514016				160			
JNP40-180	G514018				180			
JNP40-200	G514020				200			
JNP40-225	G514022				225			
JNP40-250	G514025	250						

型号	NAAMS Code	D1 (g6)	D2 (r6)	D3	L	L2	L3	R
JNP50-160	G515016	50	50	-	160	70	10	2.5
JNP50-180	G515018				180			
JNP50-200	G515020				200			
JNP50-225	G515022				225			
JNP50-250	G515025				250			
JNP50-280	G515028	280						
JNP50-315	G515031	315						
JNP63-200	G516320	63	63	-	200	80	10	2.5
JNP63-225	G516322				225			
JNP63-250	G516325				250			
JNP63-280	G516328				280			
JNP63-315	G516331				315			
JNP63-355	G516335	355						
JNP63-400	G516340	400						
JNP63-500	G516350	500						
JNP80-250	G518025	80	80	-	250	100	10	3
JNP80-280	G518028				280			
JNP80-315	G518031				315			
JNP80-355	G518035				355			
JNP80-400	G518040				400			
JNP80-450	-	450						
JNP80-500	G518050	500						
JNP100-315	G511031	100	100	-	315	125	10	3
JNP100-355	G511035				355			
JNP100-400	G511040				400			
JNP100-500	G511050				500			
JNPH100315	-	100	100	50	315	125	10	3
JNPH100355	-				355			
JNPH100400	-				400			
JNPH100450	-				450			
JNPH100500	-				500			
JNPH100550	-	550						
JNPH100600	-	600						
JNP115400	G511140	115	115	-	400	140	10	3
JNP115500	G511150				500			
JNPH125355	-	125	125	65	355	140	10	3
JNPH125400	-				400			
JNPH125450	-				450			
JNPH125500	-				500			
JNPH125550	-				550			
JNPH125600	-	600						
JNPH125650	-	650						

Code
JNP25-80

Code No.

M 材质
铜合金+石墨

☞ 每个导套同时提供3个安装压块及螺栓，具体尺寸见P1101。

型号	NAAMS Code	D1	D2	D3	D4	L1	L2	L3	R
JNM25	G612540	25	32	40	32	40	30	4	3
JNM32	G613250	32	40	50	40	50	40	4	3
JNM40	G614063	40	50	63	50	63	50	5	3
JNM50	G615071	50	63	71	63	71	56	6	5
JNM63	G616380	63	80	90	80	80	63	8	6
JNM80	G618010	80	100	112	100	100	80	10	8
JNM100	G611012	100	125	140	125	125	106	12	10
JNM115	G611114	115	140	155	140	140	120	12	10
JNM125	G611216	125	160	180	160	160	132	12	12



Code No.

M 材质
铜合金+石墨

☞ 适用于模具顶出器导向，不用于模座滑动导向

☞ 每个导套同时提供3个安装压块及螺栓，具体尺寸见P1101。

型号	NAAMS Code	D1	D2	D3	L1	L2
JNM25PAD	G712540	25	32	40	40	4
JNM32PAD	G713250	32	40	50	50	4
JNM40PAD	G714055	40	50	63	55	5
JNM50PAD	G715063	50	63	71	63	6
JNM63PAD	G716375	63	80	90	75	8
JNM80PAD	G718090	80	100	112	90	10
JNM100PAD	G711011	100	125	140	115	12
JNM125PAD	G711213	125	160	180	138	12



Code No.

衬套中心

注：D1=衬套内径
D2=衬套轴肩外径

“D” 螺纹孔 (3)
等距离分布

M 材质
S45C

型号	NAAMS Code	A	B	C	D	安装螺栓
J6-99-1	G720000C	24.6	18.9	13	M8×1.25	M8×20
J6-990-1	G730000C	27.9	23.5	15.5	M10×1.5	M10×20

J6-99-1

D1	D3	BC	N
25	40	58	40.1
32	50	68	45.1
40	63	81	51.6
50	71	89	55.6
63	90	108	65.1
80	112	130	76.1
100	140	158	90.1
115	155	173	97.6
125	180	198	110.1

J6-990-1

D1	D3	BC	N
32	50	71	48.4
40	63	84	54.9
50	71	92	58.9
63	90	111	68.4
80	112	133	79.4
100	140	161	93.4
115	155	176	100.9
125	180	201	113.4

Code
J6-99-1

Code No.

JSNL01 系列

M 材质
SCM440

型号		A	B	C	D	E	NAAMS Code
系列号	NO.						
JSNL01	3512	35	125	165	45	10	L013512
	5019	50	190	230	63	10	L015019
	6328	63	280	320	76	10	L016328
	8032	80	320	370	89	15	L018032

Code
系列号 NO.
JSNL01 - 5019

Code No.

JSNR41系列

JSNR42系列

JSNR430001

JSNR430002

材质
S45C

型号		D	E	F	G	H	L	NAAMS Code
系列号	NO.							
JSNR41	2511	25	22	25	75	17	110	R412511
	3513	35	32	30	95	27	130	R413513
	5017	50	47	35	135	42	170	R415017
	6321	63	60	45	170	55	210	R416321

型号		D	E	F	G	H	J	L	NAAMS Code
系列号	NO.								
JSNR42	2513	25	22	25	75	17	20	130	R422513
	3515	35	32	30	95	27	25	155	R423515
	5020	50	47	35	135	42	30	200	R425020
	6325	63	60	45	170	55	40	250	R426325

型号		NAAMS Code
系列号	NO.	
JSNR43	0001	R430001
	0002	R430002

Code	
系列号	NO.
JSNR43	0001

Code No.

JG11系列

材质
S45C+石墨

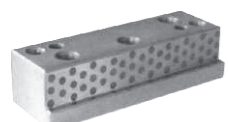
硬度
///部高频淬火
HRC40以上

高频淬火

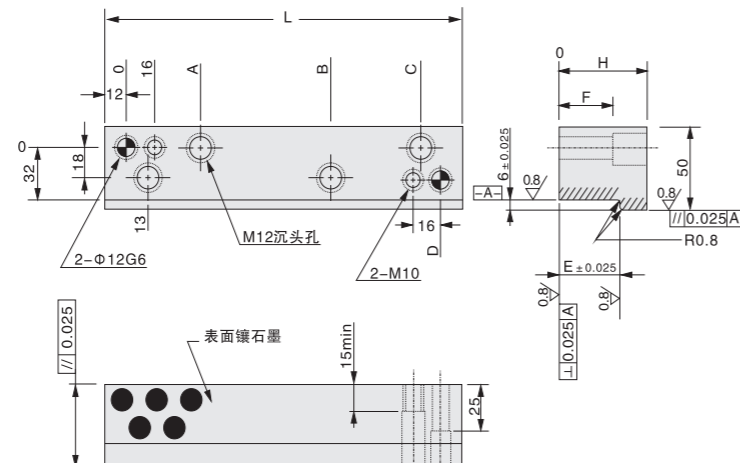
型号	L	H	A	B	C	D	NAAMS Code
JG118007		75					G118007
JG118010	80	100	25	35	40	55	G118010
JG118012		125					G118012
JG119507		75					G119507
JG119510	95	100	40	50	55	70	G119510
JG119512		125					G119512
JG111207		75					G111207
JG111210	120	100	65	75	80	95	G111210
JG111212		125					G111212

Code
JG118007

Code No.
JR01系列



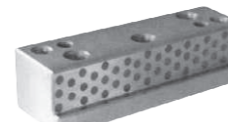
M 材质	H 硬度
S45C+石墨	///部高频淬火 HRC40以上



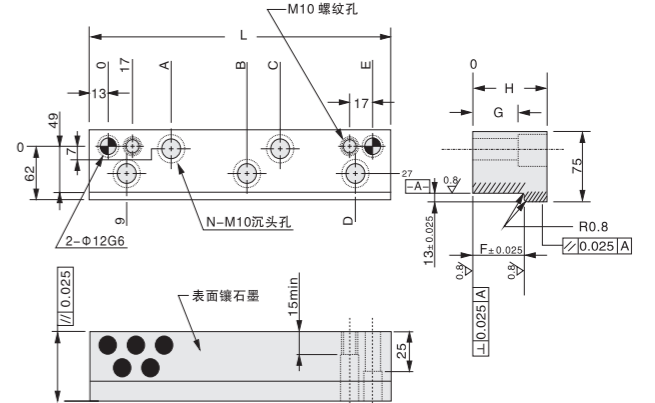
型号	NAAMS Code	L	A	B	C	D	E	F	H	孔数(N)
JR012507	R012507	75	-	-	38	51	25	15	37	2
JR012510	R012510	100	-	-	63	76				2
JR012515	R012515	150	-	63	113	126				3
JR012520	R012520	200	63	113	163	176				4
JR013207	R013207	75	-	-	38	51	32	15	45	2
JR013210	R013210	100	-	-	63	76				2
JR013215	R013215	150	-	63	113	126				3
JR013220	R013220	200	63	113	163	176				4
JR013707	R013707	75	-	-	38	51	37	30	50	2
JR013710	R013710	100	-	-	63	76				2
JR013715	R013715	150	-	63	113	126				3
JR013720	R013720	200	63	113	163	176				4
JR014810	R014810	100	-	-	63	76	48	30	60	2
JR014815	R014815	150	-	63	113	126				3
JR014820	R014820	200	63	113	163	176				4
JR014825	R014825	250	83	153	213	226				4

Code
JR012507

Code No.
JR02系列



M 材质	H 硬度
S45C+石墨	///部高频淬火 HRC40以上



型号	NAAMS Code	L	A	B	C	D	E	F	G	H	孔数
JR023510	R023510	100	-	-	-	65	74	35	25	50	2
JR023512	R023512	125	49.5	-	-	90	99				3
JR023515	R023515	150	62	-	-	115	124				3
JR023520	R023520	200	62	-	112	165	174				4
JR023522	R023522	225	62	99.5	137	190	199				5
JR023525	R023525	250	62	112	162	215	224	5			
JR023530	R023530	300	62	137	212	265	274	5			
JR024010	R024010	100	-	-	-	65	74	40	25	60	2
JR024012	R024012	125	49.5	-	-	90	99				3
JR024015	R024015	150	62	-	-	115	124				3
JR024020	R024020	200	62	-	112	165	174				4
JR024022	R024022	225	62	99.5	137	190	199				5
JR024025	R024025	250	62	112	162	215	224	5			
JR024030	R024030	300	62	137	212	265	274	5			
JR025010	R025010	100	-	-	-	65	74	50	30	70	2
JR025012	R025012	125	49.5	-	-	90	99				3
JR025015	R025015	150	62	-	-	115	124				3
JR025020	R025020	200	62	-	112	165	174				4
JR025022	R025022	225	62	99.5	137	190	199				5
JR025025	R025025	250	62	112	162	215	224	5			
JR025030	R025030	300	62	137	212	265	274	5			
JR025510	R025510	100	-	-	-	65	74	55	35	80	2
JR025512	R025512	125	49.5	-	-	90	99				3
JR025515	R025515	150	62	-	-	115	124				3
JR025520	R025520	200	62	-	112	165	174				4
JR025522	R025522	225	62	99.5	137	190	199				5
JR025525	R025525	250	62	112	162	215	224	5			
JR025530	R025530	300	62	137	212	265	274	5			
JR026510	R026510	100	-	-	-	65	74	65	45	90	2
JR026512	R026512	125	49.5	-	-	90	99				3
JR026515	R026515	150	62	-	-	115	124				3
JR026520	R026520	200	62	-	112	165	174				4
JR026522	R026522	225	62	99.5	137	190	199				5
JR026525	R026525	250	62	112	162	215	224	5			
JR026530	R026530	300	62	137	212	265	274	5			
JR027510	R027510	100	-	-	-	65	74	75	45	100	2
JR027512	R027512	125	49.5	-	-	90	99				3
JR027515	R027515	150	62	-	-	115	124				3
JR027520	R027520	200	62	-	112	165	174				4
JR027522	R027522	225	62	99.5	137	190	199				5
JR027525	R027525	250	62	112	162	215	224	5			
JR027530	R027530	300	62	137	212	265	274	5			

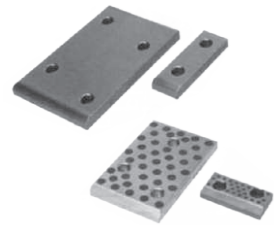
Code
JR023510

NAAMS部品

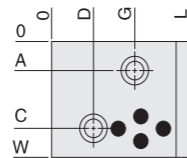
NAAMS部品

Code No.

JW01/JW02/JW03系列

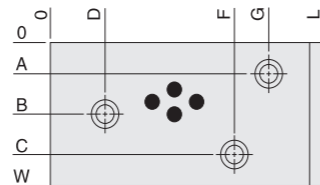


Hole type A



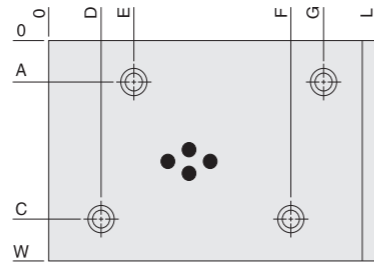
JW01	M 材质	H 硬度
	SCM440+石墨	HRC50~

Hole type B



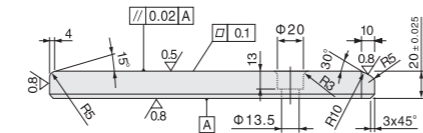
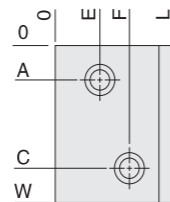
JW02	M 材质	H 硬度
	SCM440	HRC50~

Hole type C



JW03	M 材质
	铜合金+石墨

Hole type D




型号			NAAMS Code			W	L	A	B	C	D	E	F	G	安装孔	
JW01	JW02	JW03	W01	W02	W03										TYPE	孔数
JW015010	JW025010	JW035010	W015010	W025010	W035010	50	100	25	25	30	-	-	60	-	-	-
JW015015	JW025015	JW035015	W015015	W025015	W035015		150									
JW015020	JW025020	JW035020	W015020	W025020	W035020	200	160	40	60	60	60	60	A	2		
JW018010	JW028010	JW038010	W018010	W028010	W038010	80	100	20	60	30	-	-	60	-	-	-
JW018015	JW028015	JW038015	W018015	W028015	W038015		150									
JW018020	JW028020	JW038020	W018020	W028020	W038020	200	160	40	60	60	60	60	A	2		
JW018025	JW028025	JW038025	W018025	W028025	W038025	250	210	40	60	60	60	60	A	2		
JW018031	JW028031	JW038031	W018031	W028031	W038031	315	275	40	60	60	60	60	A	2		
JW011050	JW021050	JW031050	W011050	W021050	W031050	100	50	-	-	-	-	14	27	-	-	-
JW011080	JW021080	JW031080	W011080	W021080	W031080		80									
JW011010	JW021010	JW031010	W011010	W021010	W031010	100	100	-	-	-	-	-	60	-	-	-
JW011015	JW021015	JW031015	W011015	W021015	W031015		150									
JW011020	JW021020	JW031020	W011020	W021020	W031020	200	160	50	60	60	60	60	A	2		
JW011025	JW021025	JW031025	W011025	W021025	W031025	250	210	50	60	60	60	60	A	2		
JW011031	JW021031	JW031031	W011031	W021031	W031031	315	275	50	60	60	60	60	A	2		
JW011280	JW021280	JW031280	W011280	W021280	W031280	80	135	62	60	60	60	60	A	2		
JW011210	JW021210	JW031210	W011210	W021210	W031210	100	160	62	60	60	60	60	A	2		
JW011215	JW021215	JW031215	W011215	W021215	W031215	150	210	62	60	60	60	60	A	2		
JW011220	JW021220	JW031220	W011220	W021220	W031220	200	260	62	60	60	60	60	A	2		
JW011225	JW021225	JW031225	W011225	W021225	W031225	250	310	62	60	60	60	60	A	2		
JW011231	JW021231	JW031231	W011231	W021231	W031231	315	370	62	60	60	60	60	A	2		
JW011610	JW021610	JW031610	W011610	W021610	W031610	100	135	80	60	60	60	60	A	2		
JW011615	JW021615	JW031615	W011615	W021615	W031615	150	210	80	60	60	60	60	A	2		
JW011620	JW021620	JW031620	W011620	W021620	W031620	200	260	80	60	60	60	60	A	2		
JW011625	JW021625	JW031625	W011625	W021625	W031625	250	310	80	60	60	60	60	A	2		
JW011631	JW021631	JW031631	W011631	W021631	W031631	315	370	80	60	60	60	60	A	2		

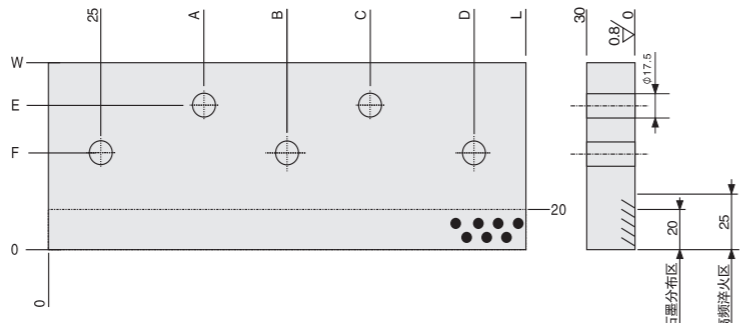


Code
JW015010

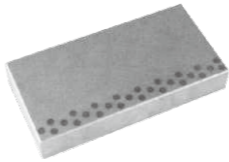
Code No.
JR21 系列



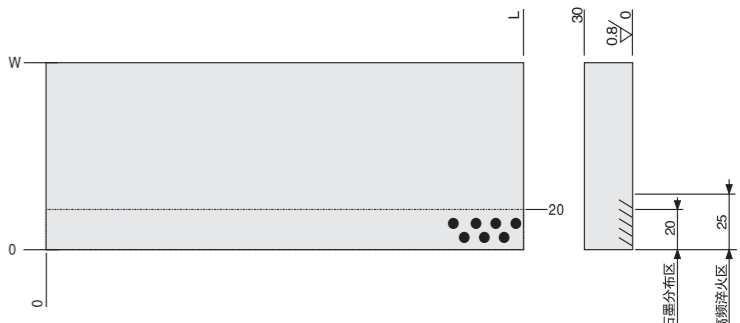
M 材质	H 硬度
S45C+石墨	///部高频淬火 HRC40以上



Code No.
JR22 系列



M 材质	H 硬度
S45C+石墨	///部高频淬火 HRC40以上



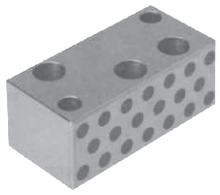
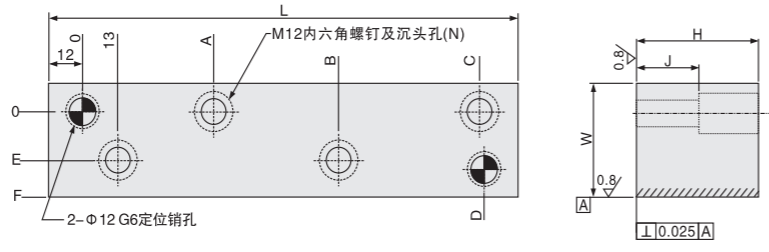
型号	NAAMS Code	W	L	A	B	C	D	E	F	孔数
JR210720	R210720	75	200	100	-	-	175	55	40	3
JR210725	R210725		250	125	-	-	225			
JR210731	R210731		315	90	158	225	290			
JR210735	R210735		350	100	175	250	325			5
JR210740	R210740		400	115	200	285	375			
JR210745	R210745		450	125	225	325	425			
JR211020	R211020	100	200	100	-	-	175	80	55	3
JR211025	R211025		250	90	-	160	225			4
JR211031	R211031		315	90	158	225	290			5
JR211035	R211035		350	100	175	250	325			
JR211040	R211040		400	115	200	285	375			
JR211045	R211045		450	125	225	325	425			
JR211220	R211220	125	200	100	-	-	175	105	65	3
JR211225	R211225		250	90	-	160	225			4
JR211231	R211231		315	90	158	225	290			5
JR211235	R211235		350	100	175	250	325			
JR211240	R211240		400	115	200	285	375			
JR211245	R211245		450	125	225	325	425			
JR211520	R211520	150	200	100	-	-	175	130	65	3
JR211525	R211525		250	90	-	160	225			4
JR211531	R211531		315	90	158	225	290			5
JR211535	R211535		350	100	175	250	325			
JR211540	R211540		400	115	200	285	375			
JR211545	R211545		450	125	225	325	425			

型号	NAAMS Code	W	L
JR220720	R220720	75	200
JR220725	R220725		250
JR220731	R220731		315
JR220735	R220735		350
JR220740	R220740		400
JR220745	R220745		450
JR221020	R221020	100	200
JR221025	R221025		250
JR221031	R221031		315
JR221035	R221035		350
JR221040	R221040		400
JR221045	R221045		450
JR221220	R221220	125	200
JR221225	R221225		250
JR221231	R221231		315
JR221235	R221235		350
JR221240	R221240		400
JR221245	R221245		450
JR221520	R221520	150	200
JR221525	R221525		250
JR221531	R221531		315
JR221535	R221535		350
JR221540	R221540		400
JR221545	R221545		450

Code
JR211020

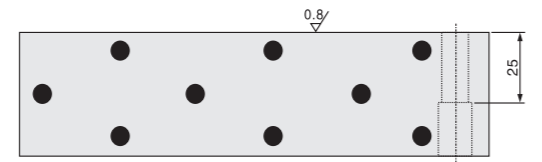
Code
JR221020

Code No.
JG01/JG02系列

M12内六角螺钉及沉头孔(N)
2-φ12 G6定位销孔

M 材质	H 硬度
S45C+石墨	///部高频淬火 HRC40以上



型号	NAAMS Code	L	A	B	C	D	E	F	H	J	W	孔数 N
JG014007	G014007	75	-	-	38	51	18	33	40	15	45	2
JG014010	G014010	100	-	-	63	76						3
JG014012	G014012	125	-	50.5	88	101						4
JG014015	G014015	150	-	63	113	126						2
JG014017	G014017	175	-	75.5	138	151						3
JG014020	G014020	200	63	113	163	176						4
JG014022	G014022	225	73	128	188	201						2
JG014025	G014025	250	83	153	213	226						3
JG014507	G014507	75	-	-	38	51			4			
JG014510	G014510	100	-	-	63	76			2			
JG014512	G014512	125	-	50.5	88	101			3			
JG014515	G014515	150	-	63	113	126			4			
JG014517	G014517	175	-	75.5	138	151			2			
JG014520	G014520	200	63	113	163	176			3			
JG014522	G014522	225	73	128	188	201			4			
JG014525	G014525	250	83	153	213	226			2			
JG015007	G015007	75	-	-	38	51			3			
JG015010	G015010	100	-	-	63	76			4			
JG015012	G015012	125	-	50.5	88	101			2			
JG015015	G015015	150	-	63	113	126			3			
JG015017	G015017	175	-	75.5	138	151	4					
JG015020	G015020	200	63	113	163	176	2					
JG015022	G015022	225	73	128	188	201	3					
JG015025	G015025	250	83	153	213	226	4					
JG016007	G016007	75	-	-	38	51	30	60	30	2		
JG016010	G016010	100	-	-	63	76				3		
JG016012	G016012	125	-	50.5	88	101				4		
JG016015	G016015	150	-	63	113	126				2		
JG016017	G016017	175	-	75.5	138	151			3			
JG016020	G016020	200	63	113	163	176			4			

型号	NAAMS Code	L	A	B	C	D	E	F	H	J	W	孔数 N			
JG016022	G016022	225	73	128	188	201	18	33	60	30	45	4			
JG016025	G016025	250	83	153	213	226						2			
JG017507	G017507	75	-	-	38	51						3			
JG017510	G017510	100	-	-	63	76						4			
JG017512	G017512	125	-	50.5	88	101			33			48	75	60	3
JG017515	G017515	150	-	63	113	126									2
JG017517	G017517	175	-	75.5	138	151									3
JG017520	G017520	200	63	113	163	176									4
JG017522	G017522	225	73	128	188	201									2
JG017525	G017525	250	83	153	213	226									3
JG028007	G028007	75	-	-	38	51	33	48		80	60		4		
JG028010	G028010	100	-	-	63	76							2		
JG028012	G028012	125	-	50.5	88	101							3		
JG028015	G028015	150	-	63	113	126							4		
JG028017	G028017	175	-	75.5	138	151			2						
JG028020	G028020	200	63	113	163	176			3						
JG028022	G028022	225	73	128	188	201			4						
JG028025	G028025	250	83	153	213	226			2						
JG020007	G020007	75	-	-	38	51			33	48		100	60	3	
JG020010	G020010	100	-	-	63	76								4	
JG020012	G020012	125	-	50.5	88	101	2								
JG020015	G020015	150	-	63	113	126	3								
JG020017	G020017	175	-	75.5	138	151	4								
JG020020	G020020	200	63	113	163	176	2								
JG020022	G020022	225	73	128	188	201	3								
JG020025	G020025	250	83	153	213	226	4								
JG025007	G025007	75	-	-	38	51	33	48			50	60		2	
JG025010	G025010	100	-	-	63	76								3	
JG025012	G025012	125	-	50.5	88	101			4						
JG025015	G025015	150	-	63	113	126			2						
JG025017	G025017	175	-	75.5	138	151			3						
JG025020	G025020	200	63	113	163	176			4						
JG025022	G025022	225	73	128	188	201			2						
JG025025	G025025	250	83	153	213	226			3						
JG026007	G026007	75	-	-	38	51			33	48	60		60	4	
JG026010	G026010	100	-	-	63	76								2	
JG026012	G026012	125	-	50.5	88	101	3								
JG026015	G026015	150	-	63	113	126	4								
JG026017	G026017	175	-	75.5	138	151	2								
JG026020	G026020	200	63	113	163	176	3								
JG026022	G026022	225	73	128	188	201	4								
JG026025	G026025	250	83	153	213	226	2								

Code

JG014007

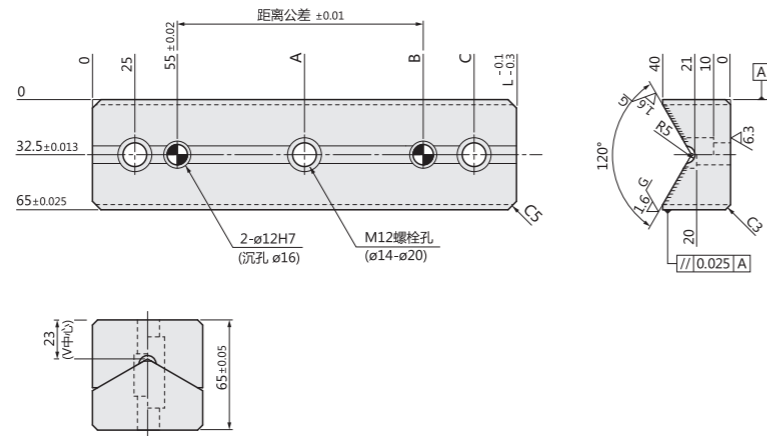
JG025007

NAAMS部品

NAAMS部品

Code No.

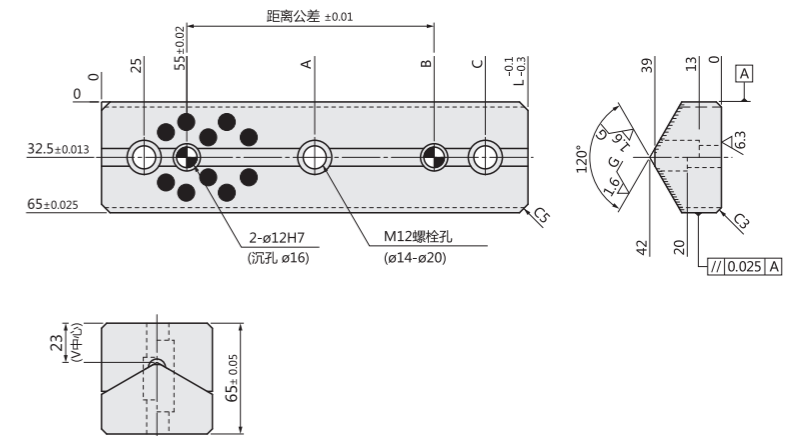
JG98系列



M 材质	H 硬度
S45C	HRC55-60 //部高频淬火

Code No.

JG97系列



M 材质
铜合金+石墨

型号	NAAMS Code	C	L	A	B	孔数 (N)
JG986515	G986515	125	150	—	100	2
JG986520	G986520	175	200	—	150	2
JG986525	G986525	225	250	125	200	3
JG986530	G986530	275	300	150	250	3

型号	NAAMS Code	C	L	A	B	孔数 (N)
JG976515	G976515	125	150	—	100	2
JG976520	G976520	175	200	—	150	2
JG976525	G976525	225	250	125	200	3
JG976530	G976530	275	300	150	250	3



Code


JG986520



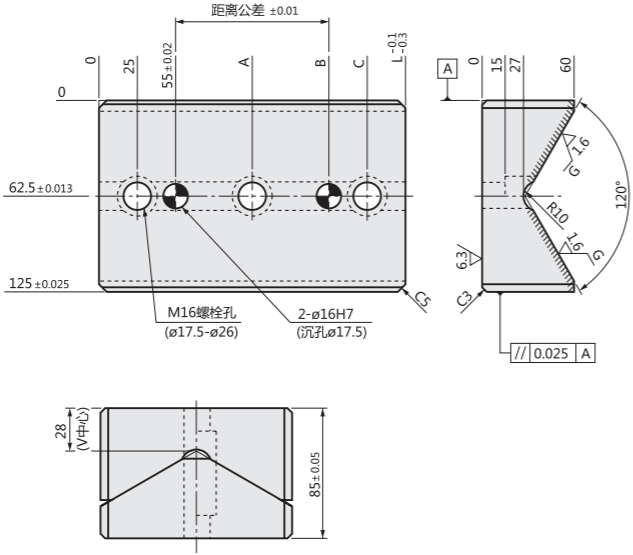
Code

JG976520

Code No.
JG99系列



M 材质	H 硬度
S45C	HRC55-60 ///部高频淬火




Technical drawing details:
 - Top view: Dimensions include 0, 25, 55±0.02, A, B, C, L-0.1, 62.5±0.013, 125±0.025, M16螺栓孔 (ø17.5-ø26), 2-ø16H7 (沉孔ø17.5), and 距离公差 ±0.01.
 - Side view: Dimensions include 0, 15, 27, 60, 6.3, 1.6, 1.6, 120°, and 0.025 A.
 - Cross-section: Dimensions include 28 (V中心), 85±0.05, and 0.025 A.

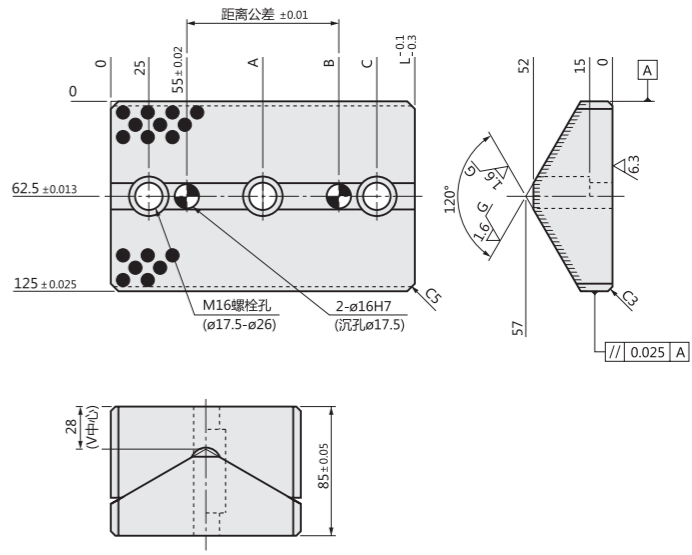
型号	NAAMS Code	C	L	A	B	孔数 (N)
JG991215	G991215	125	150	—	100	2
JG991220	G991220	175	200	—	150	2
JG991225	G991225	225	250	125	200	3
JG991230	G991230	275	300	150	250	3

Code
JG991225

Code No.
JG100系列



M 材质
铜合金+石墨

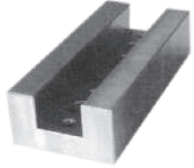


Technical drawing details:
 - Top view: Dimensions include 0, 25, 55±0.02, A, B, C, L-0.1, 62.5±0.013, 125±0.025, M16螺栓孔 (ø17.5-ø26), 2-ø16H7 (沉孔ø17.5), and 距离公差 ±0.01.
 - Side view: Dimensions include 0, 15, 27, 60, 6.3, 1.6, 1.6, 120°, and 0.025 A.
 - Cross-section: Dimensions include 28 (V中心), 85±0.05, 52, 15, 0, 57, and 0.025 A.

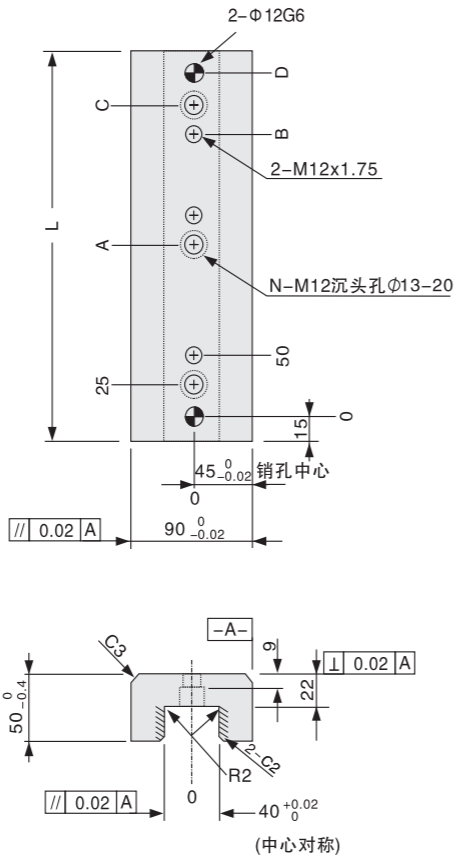
型号	NAAMS Code	C	L	A	B	孔数 (N)
JG1001215	G1001215	125	150	—	100	2
JG1001220	G1001220	175	200	—	150	2
JG1001225	G1001225	225	250	125	200	3
JG1001230	G1001230	275	300	150	250	3

Code
JG1001225

Code No.
JG41系列



M 材质	H 硬度
S45C	///部高频淬火 HRC40以上




2-Φ12G6
D
C
B
2-M12x1.75
A
N-M12沉头孔Φ13-20
50
25
15
0
45⁰_{-0.02} 销孔中心
90⁰_{-0.02}
50⁰_{-0.4}
R2
40^{+0.02}₀ (中心对称)
0.02 A

型号	NAAMS Code	A	B	C	D	L	孔数(N)
JG419020	G419020	-	120	145	170	200	2
JG419030	G419030	135	220	245	270	300	3

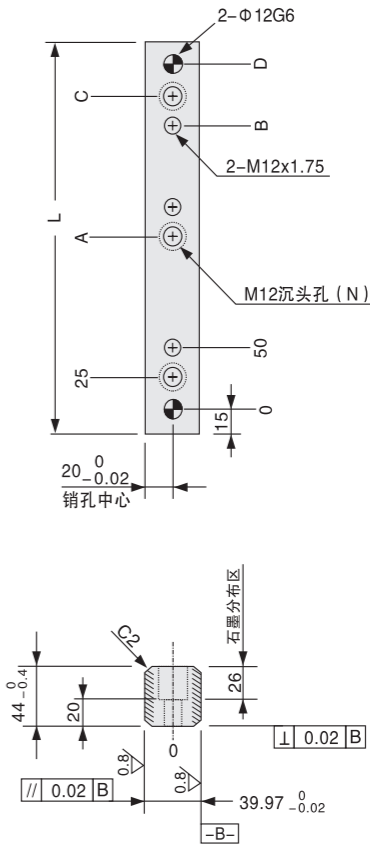
Code
JG419020

Code No.
JG42/JG43系列



M 材质	H 硬度
S45C+石墨	///部高频淬火 HRC40以上

M 材质
铜合金+石墨



2-Φ12G6
D
C
B
2-M12x1.75
A
M12沉头孔(N)
50
25
15
0
20⁰_{-0.02} 销孔中心
44⁰_{-0.4}
20
0.02 B
0.02 B
26
石墨分布区
39.97⁰_{-0.02}
-B-

型号		NAAMS Code		A	B	C	D	L	孔数(N)
JG42	JG43	G42	G43						
JG424020	JG434020	G424020	G434020	-	120	145	170	200	2
JG424030	JG434030	G424030	G434030	135	220	245	270	300	3

Code
JG424020

Code No.
JR11系列

M 材质	H 硬度
S45C+石墨	///部高频淬火 HRC40以上

型号	NAAMS Code	A	B	C	D	E	F	L	孔数
JR114016	R114016	68	-	-	110	123	136	160	3
JR114020	R114020	88	-	-	150	163	176	200	3
JR114025	R114025	78	-	148	200	213	226	250	4
JR114031	R114031		145.5	213	265	278	291	315	5

Code
JR114016

Code No.
JR12系列

M 材质	H 硬度
S45C+石墨	///部高频淬火 HRC40以上

型号	NAAMS Code	A	B	C	D	E	F	L	孔数
JR127516	R127516	-	64	-	108	124	128	160	3
JR127520	R127520	-	84	-	148	164	168	200	3
JR127525	R127525	74	-	144	198	214	218	250	4
JR127531	R127531		142	210	263	279	283	315	5

Code
JR127516

Code No.
JW11/JW21/JW31系列

JW11 材质
S45C+石墨

JW21 材质
S45C

JW31 材质
铜合金+石墨

JW11/JW31

JW21

型号			NAAMS Code			T	W	L	A	B
JW11	JW21	JW31	W11	W21	W31					
JW111210	JW211210	JW311210	W111210	W211210	W311210	30	100	125	80	70
JW111212	JW211212	JW311212	W111212	W211212	W311212		125		105	
JW111216	JW211216	JW311216	W111216	W211216	W311216		160		140	
JW111510	JW211510	JW311510	W111510	W211510	W311510	45	100	150	80	65
JW111512	JW211512	JW311512	W111512	W211512	W311512		125		105	
JW111516	JW211516	JW311516	W111516	W211516	W311516		160		140	
JW111710	JW211710	JW311710	W111710	W211710	W311710	60	100	170	80	
JW111712	JW211712	JW311712	W111712	W211712	W311712		125		105	
JW111716	JW211716	JW311716	W111716	W211716	W311716		160		140	

